

Anderson Repeater Club, Inc.

March, 2023

Our regular Club meeting will be Tuesday, March 7, 7:00PM at the EOC Training Room. Please plan to attend. Our **Technical Session will discuss RF Antenna Switches**. Additional Technical presentations and Show-And-Tell presentations are welcome and encouraged.

Check the Club web site for the list of members who have paid **dues for 2023**. If you have not yet made your contribution please do so at the meeting or you can mail it to: Anderson Repeater Club, PO Box 615, Anderson, IN 46015. Last year was a very good year for the Club as we had 10 new members join our ranks. That is a real compliment to our Club that it is recognized as worthy of support by new hams. Let us hope that this year will have more new hams join us.

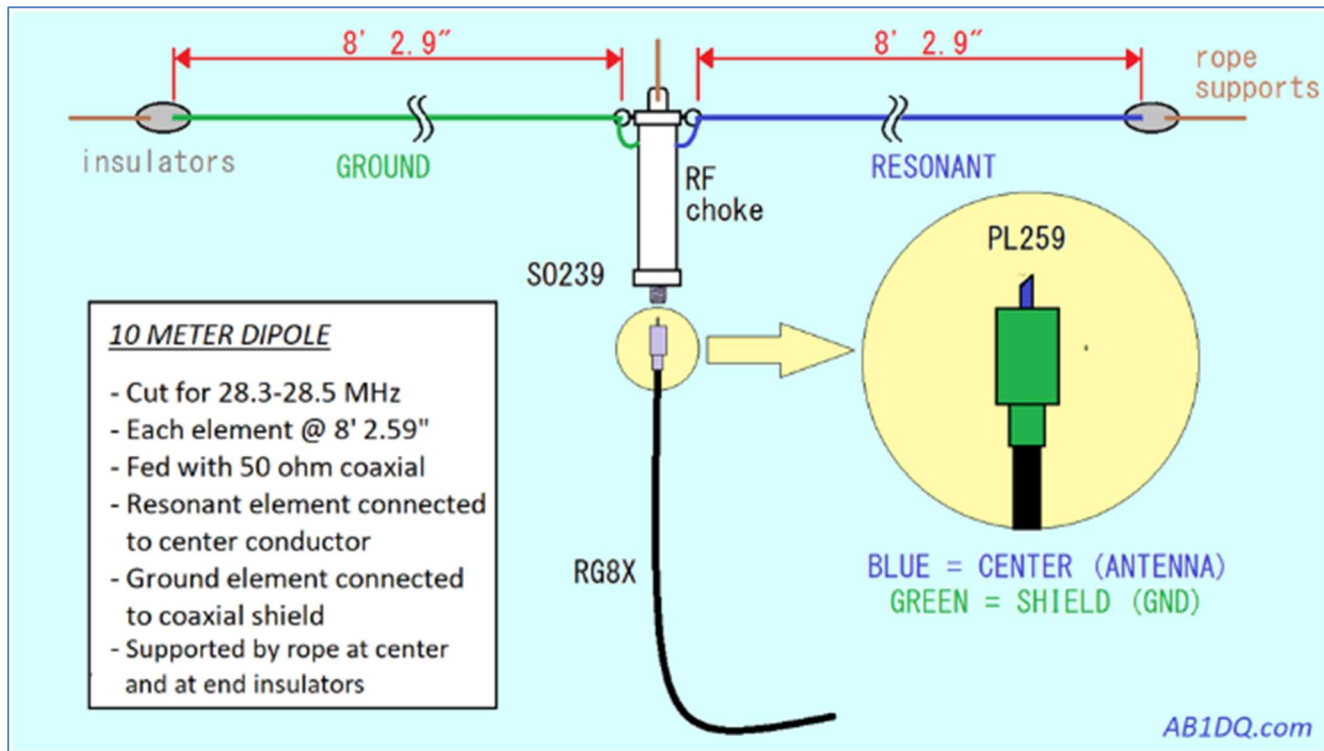
Our **2023 Severe Weather Spotter Training** (StormNet/SKYWARN) is confirmed for **Tuesday, March 14, 6:00PM** at Anderson University York Performing Arts, 1100 E. 5th Street, Anderson. Please plan to attend. We have been holding this training yearly since the early 1970's, but there is new and interesting information presented each year. Feel free to invite any friends and relatives who have an interest in severe weather. The primary presenter will be from the Indianapolis Office of the National Weather Service. We usually have over 100 in attendance with nearly half amateurs.

In Mid-January we had an infrequent incident on the .82 repeater where an incoming signal continuously activated the repeater until it "timed out". This occurs when a continuous carrier exceeds 5 minutes without the opportunity for the "reset beep" to be heard. Usually it is caused by someone "sitting on their mic" in a mobile environment. It is almost always unintentional. For this reason we encourage everyone to set the operating parameters on their radios (bases, mobiles, handhelds) for a 3-minute Time Out. This setting is usually described as "TOT" (Time Out Timer) in your radio setup. That will cause your radio to stop transmitting after that internal timer times out. It'll almost always result in a tone of some type from your speaker telling you what happened. Some of us call that a "boring QSO detector" as it's seldom necessary for someone to talk non-stop for over 3 minutes! Check your equipment to be certain you are correctly setup. We also discovered that the repeater RF package had shifted back into "carrier access" mode. Mid-February it was put back into the CTCSS mode. Thanks to the guys who diagnosed that situation. It wasn't a major problem but was an annoyance.

Our **VE Testing** opportunities resulted in 1 new ham in January, and 1 new ham and 1 upgrade in February. Paula Dixon, KD9SZJ, passed her General. Congratulations! If you are considering upgrading to General you might want to do that before the question pool changes July 1. "The new pool incorporates some significant changes compared to the 2019 - 2023 pool. Its 432 questions were modified slightly to improve wording or to replace distractors; 51 new questions were generated, and 73 questions were eliminated. This resulted in a reduction of 22 questions, bringing the total number of questions in the pool from 454 to 432. The difficulty level of the questions is now more balanced, and the techniques and practices addressed have been updated."

We would love to have you attend one of our monthly testing opportunities (3rd Tuesday @ 7:00PM) to upgrade.

For those of you who are currently **Technician licensees** remember that you have privileges on Ten Meters, you may operate CW and digital modes from 28.0 to 28.3 MHz and voice (SSB) on the 28.3 to 28.5 MHz with up to 200 Watts. If you have any experience with CB you know of what happens when the band “opens up”. Right now 10 meters is like that often so take advantage of this to get your feet wet with HF. It’s not unusual to be able to work the west coast and all points in-between. There is much more to amateur radio than repeaters! Here’s a recommendation for a simple 10 meter dipole (the choke in the center isn’t essential, but is desirable):



You might consider using this as an “excuse” to buy an HF rig as most all that are available now cover not only the HF bands including 10 meters, but also 6 meters. Then you’ll be all ready to operate when you upgrade to General or Amateur Extra on the low bands.

Some of our members who are also active in the County Club are working up a plan to offer **classes for the General license**. If you have an interest be sure to mention it at the meeting so that the level of interest can be measured.

Technicians also have full use of the **6 Meter band** and there is activity on that band too. There is a SSB net every Sunday and Wednesday evening at 8:00 PM on 50.140 MHz. There are usually about 10 of us, mostly from the Delaware County area that enjoy using the “Magic Band”. If you have an interest throw up a dipole (horizontal polarization) or End Fed Half Wave antenna and join us.

The **net on the 443.350** (+5.00 / 110.9) repeater has been well received and Lynn, K9RLE, says that several folks have programmed their dual band radios to participate. Right now the net is the third Thursday of each month at 8:00PM, but with enough interest I’m sure he’ll be able to increase the frequency of nets. This repeater, although sponsored by EMA, is an open repeater

that everyone is encouraged to use. Right now the Time-Out-Timer is set at 1 minute, but it might be wise to learn to say what you need to say in that time period anyway. It is located on the south side of Anderson at the Fire Training Center tower. If you look at the tower on the northeast side you'll see the 443.35 antenna at 240 feet and the 147.09 antenna at 150 feet. Lynn is able to get into it from Elwood with his handheld, so the coverage seems to be good.

Some equipment has been donated to the Clubs for **auction**. Therefore, in March we will be offering that to members of both clubs and EMA Communications Division. Stay tuned for more information. Remember that if you win a bid you must be a paid up member in at least one club to claim the item.

Another group that meets twice per year is the **East Central Indiana QRP Group**. On Saturday, April 29, we will be getting together at a Muncie Library from 1 to 3 to discuss low power operation, mostly on HF. About 10 hams from the area attend and there is always a presentation or two. If you think that you might like to attend, see Steve, WA9CWE, for details. Also, the information flyer is attached.

There are several amateur radio activities coming up that you might have an interest in. The **Dayton Hamvention** is May 19 to 21. This is an event that everyone needs to experience. **Field Day 2023**, is of course a main event, June 24 and 25. If you are not yet a general class licensee you can still participate from the MRCARC Field Day site since there are always Control Operators available to allow you to operate on HF. Additionally, for you Generals and above the **Museum Ships Weekend** event is June 3 and 4. This event gives you the opportunity to contact stations set up near/in ships throughout the world who are now permanently museums. If you'd like to say that you have contacted 5 aircraft carriers or 10 battleships or the first nuclear submarine the Nautilus (one of 50 submarines) this might be the event for you. There are usually over 100 active museums on the air that weekend. Check it out at <https://www.nj2bb.org/museum/>. A nice certificate is available (see below). Another fun event is the **13 Colonies Event** from July 1 to July 7. This event has specific stations in the 13 original Colonies to be contacted plus 3 additional ones (<http://www.13colonies.us/>). There is a really nice certificate offered for this event too. It's not difficult to contact all of these stations except for Great Britain and France, but lots of folks do. Several of our members have participated in these events. They are fun and not quite as intense as Field Day. Participate and get some "wallpaper" (see below).

Mark your calendar for Saturday, June 10 for the **White River Run Communications Exercise**. We'll plan to utilize this event as our spring EMA Exercise. It's a fun event, and we'll start our organization about 7:00AM and be done by about 10:30. We usually utilize the .82 repeater, and it gives everyone an opportunity to work on your short-term communications response. More information upcoming, but get your calendar marked.

See you on Tuesday. Invite a ham friend to join us. It's not required that you be a member to attend and participate with us at our meetings. Ham radio is all about friendship and enjoyment of the hobby and the more that enjoy it with us the better!

Our May meeting will be as planned on Tuesday, May 2. The July meeting is on the 4th, so we'll cancel that meeting so that you can enjoy the fireworks!!!

A reminder to repeater users, both new and old. When you key your transmitter wait about a second before you start to talk. This gives time for the repeater RF unit to recognize your signal and power up the repeater transmitter. Also, if a monitoring station is “scanning” multiple frequencies their receiver has time to get to the repeater signal and lock up on it. The result will be that the receiving station will hear the very first part of your call/message, etc.

If the email address that you receive this Newsletter and other ARC announcements isn't your presently preferred address send me a reply with your preferred address so I can update the distribution list.

73,
Steve

Minutes of Meeting – January 3, 2023

The regular Club meeting was called to order at 1903 by the President, Ferrin, N9VZL. There were a number of new members and guests, so introductions were made all around.

New Member Applications: New Member Applications were offered for Jay Parshall, K2ZED, and Dennis Owen, W9DO. Upon a motion by W9CGA and second by KD9RZG that both be accepted a full members of the Club all voted in the affirmative and Jay and Dennis were welcomed into the Club.

Minutes of last meeting: Ferrin asked if all had received the Newsletter and Minutes from the last meeting and all had. Upon a motion by K9TZJ and a second by KE9XF that they be accepted as printed all voted in the affirmative.

Illnesses: Ferrin asked if there were any illnesses to report and it was mentioned that Gerald, K9GDH has Covid in his house, so he was not here tonight and Tom, W9EEL, has Covid and is not here tonight. Bob, W9MTU, was reported as a Silent Key and Steve, WA9CWE and Charlie, K9TZJ offered tributes to him as a member and also a valuable ham who brought amateur radio into CD/EMA in the past. Additionally, he was responsible for our first communications truck.

Treasurer's Report: In Gerald's absence Ferrin reported a November 1 balance of \$3,382.14. Dues deposits of \$260.00 for a December 31 balance of \$3,642.14. Upon a motion to accept the report by W9GNR and a second by KC9DJU, all voted in the affirmative.

Club Correspondence: There was no correspondence received by the Secretary.

Election of Officers for 2023: Ferrin opened the floor for additional nominations/volunteers for the officer positions for 2023. With no additional nominations and Steve, WA9CWE, volunteering to be Secretary for one more year and Jeff, AK9JS offering to fill the position of Technical Committee member a motion by KC9DJU and a second by KE9XF that the nominated officers be elected for 2023. All present voted in the affirmative and the following were elected:

President: Ferrin Nice, N9VZL
Vice-President: Gary Sherman, W9GNR
Secretary: Steve Riley, WA9CWE
Treasurer: Gerald Hollon, W9GDH
Technical Committee: Dale Bales, KV9W, Gary Sherman, W9GNR, Jeff Stewart, AK9JS
.82 Repeater Trustee: Tom Ecker, KA9SYP
.09 Repeater Trustee: Jeff Dyer, K9DYR
223 Repeater Trustee: Lynn Edens, K9RLE

Repeater Reports:

146.820 Repeater: Trustee Tom, KA9SYP, reported that it continues to work well.
147.090 Repeater: Trustee Jeff, K9DYR, reported that it is still not working correctly, and he's requested that Dave, WA9IVB, assist him in troubleshooting.
443.350 Repeater: Trustee Steve, WA9CWE, reported it's working. Lynn, K9RLE, reported that they are planning to start a monthly net on this repeater on the 3rd Thursday of each month at 8:00PM. Everyone is invited to participate. It is noted that this repeater has a 1-minute time-out, so transmissions should be shorter than is customary on other repeaters.
223.860 Repeater: Trustee Lynn, K9RLE, reported it still isn't working right and he hopes that when Dave comes up to work on the .09 repeater he'll have time to look at it also.

145.390 Repeater: Trustee Mark, W9MWM, reported that the MCARC repeater is working well using the backup RF package.

Weather Report: Dale, KV9W, showed the 3-month predictions indicating for January the temps should be average with higher than normal precipitation. He also discussed the LA Nina being weaker and the jet stream keeping the colder temperatures north of us. He also reviewed the average snowfall by month for us.

StormNet Training for this year is planned for Tuesday, March 14, 6:00 at the AU York Performance Center.

EMA Report: Director Jeff, K9DYR, reminded everyone that the Outreach events are a great opportunity to promote amateur radio. There are a lot of activities coming up this year and we hope that everyone will participate.

VE Report: Steve, WA9CWE, reported that this year we held 9 test sessions resulting in 11 new licenses and 6 upgrades. This was our 12th year of offering testing and we have submitted our testing sessions for this year for the ARRL test session calendar.

Show and Tell: Dale, KV9W, had pictures and an explanation of a Go-Box that he has completed that is built into a suitcase that he has. He mounted all components on shelves that he built into it, and he uses the various pockets to store the antennas and accessories needed (including the radio manual).

Ferrin, N9VZL and visitor Tony Soverns discussed the "Team Roboto" activity that they support and administer. This is a high school age activity where the team members have 6 weeks to design, build and program a robot to perform specific activities. They had a robot here to show and a video of the competition. This activity is held at Anderson University for the team with the Statewide competition held elsewhere. In 2023 the State competition will be held at Anderson University. If anyone is interested in helping it would be appreciated.

Old Business: Dennis, W9DO, reviewed what he has developed to date on an updated DTMF decoder that we use for the Sunday Evening Test and when communications personnel are needed. The old designs are not available (components). He is working on an Arduino design that is programmable, He has parts on order to see what can be developed as a project for the two Clubs members. More to come.

New Business: It was announced that on January 21 there will be a clinic on Introduction to HF, at the EOC after the Saturday morning breakfast. Everyone is invited and it's meant to introduce HF operation to Technicians with hope to encourage them to upgrade. On the 28th and 29th is Winter Field Day that will be operated in the parking lot of the EOC. Everyone is invited to participate.

Announcements: Gary, W9GNR, reported that there is a VHF contest on the 21st and 22nd. Also the Saturday morning breakfasts and VE Testing on the third Tuesday of every month.

Technical Presentation: Steve, WA9CWE, presented information related to the FCC Required RF Environmental Evaluation that all amateurs must make in the setup and operation of their station. This is something that we certify when we renew our license or upgrade. This is explained in OET Bulletin 65, Supplement B, additional information for Amateur Radio Stations. Presented was information on the why, how, and charts that make the evaluation of your station easy and straightforward.

The meeting was closed at 2025. There were 24 in attendance.

Respectfully Submitted,
Steve Riley, WA9CWE Secretary

14th Annual 13 Colonies ~~Fourth~~ Special Event JULY



JULY 1ST - 7TH 2022

LAND BATTLES OF THE REVOLUTION

- ★ K2A/NY
- ★ K2B/VA
- ★ K2C/RI
- ★ K2D/CT
- ★ K2E/DE
- ★ K2F/MD
- ★ K2G/GA



- ★ K2H/MA
- ★ K2I/NJ
- ★ K2J/NC
- ★ K2K/NH
- ★ K2L/SC
- ★ K2M/PA



THIS CERTIFICATE CERTIFIES THAT ARS: N9VZL HAS PARTICIPATED IN THIS ON - AIR AMATEUR RADIO EVENT HONORING THE ORIGINAL THIRTEEN COLONY STATES, OUR INDEPENDENCE, & OUR ACTIVE MILITARY / VETERANS.

CONTACTS



73'



Museum Ships Weekend 2022

Sponsored by the
Battleship New Jersey Amateur Radio Station



Thanks for your participation in the Museum Ships Special Event on June 4-5, 2022

Steve
WA9CWE

Worked
22
Museum Ships



Your participation in this event shows your enthusiasm to help preserve the history of all Naval vessels and the people who served on them over the years.



ECI-QRP 2023 Spring Meeting Date



Please be advised that the next ECI-QRP Group Meeting Date will be April 29th, 2023 from (1PM until 3PM)

(((Please note the change in the meeting start time!)))

This start time change is a result of meeting room scheduling changes made by the library effective January 1st, 2023

Also, the library no longer allows pre-scheduling of the meeting room more than 6 months in advance. Because of that change I am presently not able to schedule our Fall ECI-QRP 2023 Meeting date.

=====

Second half of the meeting will be our (Round Table) half of the meeting. If possible, bring a project that you may have built or maybe even something you have recently purchased and tell us about it.

We sure hope you can attend the meeting and if possible, bring a friend!

=====

Meeting location is the same as before:

Maring Hunt Library
2005 S High St
Muncie, IN 47302
PH (765) 747-8200

IMPORTANT! Please use the West Door Library Entrance & parking lot.

Additional information as to the location of the Maring Hunt Library:

https://maps.google.com/maps?hl=en&ie=UTF-8&q=maring+hunt+library+muncie,+IN&fb=1&gl=us&hq=maring+hunt+library&hnear=0x88153da2b0ff5aaf:0xb88a1f25ae2c1ba7,Muncie,+IN&cid=0,0_5279158162199801028&ei=hSBHUZaWLNKhqOGt6oDIDw&ved=0CH0QBlwEg

73' Donnie Garrett / WA9TGT / Questions? E-mail me at: cfzapp@gmail.com